

2012 Quick Reference

TIMBREN SES

Suspension Enhancement Systems



Popular kits for light duty trucks Vans and Motor Homes

Timbren has a complete line of SES kits
Call Customer Service for more information

PICKUPS

	Year	Axle Drive	Front	Rear
CHEVROLET & GMC				
1500 SIERRA, SILVERADO, DENALI,Excluding XFE	2007-12	2/4 WD	GMFK15CA	GMRCK15S
1500 SIERRA, SILVERADO, DENALI,Regular Cab or 3 door	1999-06	2 WD	GMFK25S	GMRCK15S
1500 SIERRA, SILVERADO, DENALI, WT,Extended or CrewCab	1999-06	4 WD	GMFK15A	GMRCK25S
2500, 3500, SIERRA, SILVERADO,	2011-12	2/4 WD	GMFK25D	GMRCK25D
2500 SIERRA, SILVERADO, 1500HD, 2500HD	1999-10	2/4 WD	GMFK25S	GMRCK25S
3500 SIERRA, SILVERADO	2001-10	2/4 WD	GMFK25S	GMRCK35S
DODGE				
RAM 1500Regular Cab	2009-12	2/4 WD	DF15004B	DR1500DS
RAM 1500Crew & Quad Cab	2009-12	2/4 WD	DF15004B	DR1500DQ
RAM 1500Regular & Quad Cab	2006-08	2/4 WD	DF15004B	DR1525H4
RAM 1500MEGACAB	2006-08	4 WD	DF25004B	DR2500CA
RAM 2500	2003-12	4 WD	DF25004B	DR2500CA
RAM 3500	2007-12	2/4 WD	DF25004B	DR3500CA
FORD				
F150Excluding SVT RAPTOR	2009-12	4 WD	FF150F	FR1504D
F150, LINCOLN MARK LT,Excluding HERITAGE	2004-08	4 WD	FF150F	FR150D
F250 SUPER DUTY	2011-12	4 WD	FF350SDC	FR250SDG
F250 SUPER DUTY	2005-10	4 WD	FF350SDC	FR250SDF
F250 SUPER DUTY4-1/2" without Snow Plow Prep Package	2001-04	4 WD	FF350SD4	FR250SDE
F350 SUPER DUTY	2005-12	2/4 WD	FF350SDC	FR350SDF
F350 SUPER DUTY6-1/2" with Snow Plow Prep Package	1999-04	4 WD	FF350SD4B	FR350SDE
TOYOTA				
TUNDRA	2000-12	2/4 WD	TOFTUN4	TORTUN4

VANS & RV's

	Year	Axle Drive	Front	Rear
CHEVROLET & GMC				
UPLANDER, TERRAZA, MONTANA SV6, RELAY	2005-09	2 WD	--	GMRAZT
G/H 1500 - CHEVY, EXPRESS, SAVANA	2003-12	2 WD	GMFK15A	GMRG25C
G/H 2500 - CHEVY, EXPRESS, SAVANA,6 bolt wheel	2003-12	2 WD	GMFK15A	GMRG25C
G2500 - CHEVY, EXPRESS, SAVANA,8 bolt wheel	2003-12	2 WD	GMFK15A	GMRG35
G3500, G4500Cutaway Van, Motor Home - Straight Channel frame	2003-12	2 WD	GMFK15A	GMRG30
DODGE				
CARAVAN, VOYAGER, TOWN&COUNTRY	2008-12	2 WD	--	DVRRT
CARAVAN, VOYAGER, TOWN&COUNTRY	1996-07	2 WD	--	DVR05096
FORD				
E150Van	1987-12	2 WD	FEF350	FER15087
E250, E350, CLUB WAGONVan, Motor Home	1987-12	2 WD	FEF350	FER35092B
E350 including SUPER DUTYCutaway Van	1987-12	2 WD	FEF350	FER35092B
MERCEDES				
SPRINTER 2500	2010-12	2 WD	MBFSP35	MBRSP25A
SPRINTER 3500	2010-12	2 WD	MBFSP35	MBRSP35A
VOLKSWAGEN				
ROUTANVan	2009-12	2 WD	--	DVRRT
WORKHORSE				
W62	2007-12	2 WD	WFRW22	WRW22
W42	2006-12	2 WD	WFRW22	GMRP30
P32, P42, W20, W22, W24"I" beam front susp. (leaf springs)	2000-10	2 WD	WFRW22	WRW22

TIMBREN SES

Suspension Enhancement Systems

For Tow Vehicles, Motor Homes, Slide-in Campers, Vans & SUVs



Typical Timbren SES kit installed

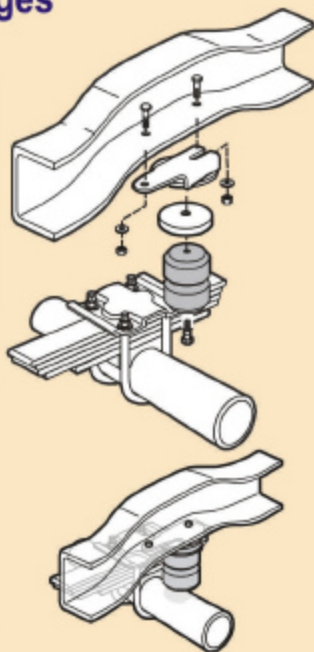


Everything in one box



Easy Bolt-On No Drilling

Includes Installation Instructions in three languages



- Eliminate Sag & Sway
- Optimize Load Handling
- Improve Roll Stability
- Cushion Road Shocks
- Improve Ride Comfort

We guarantee it!



Trouble Free Permanent Solution

You can trust TIMBREN SES for the Best Ride, Best Handling Vehicles.



361e 2012 Quick reference 091211