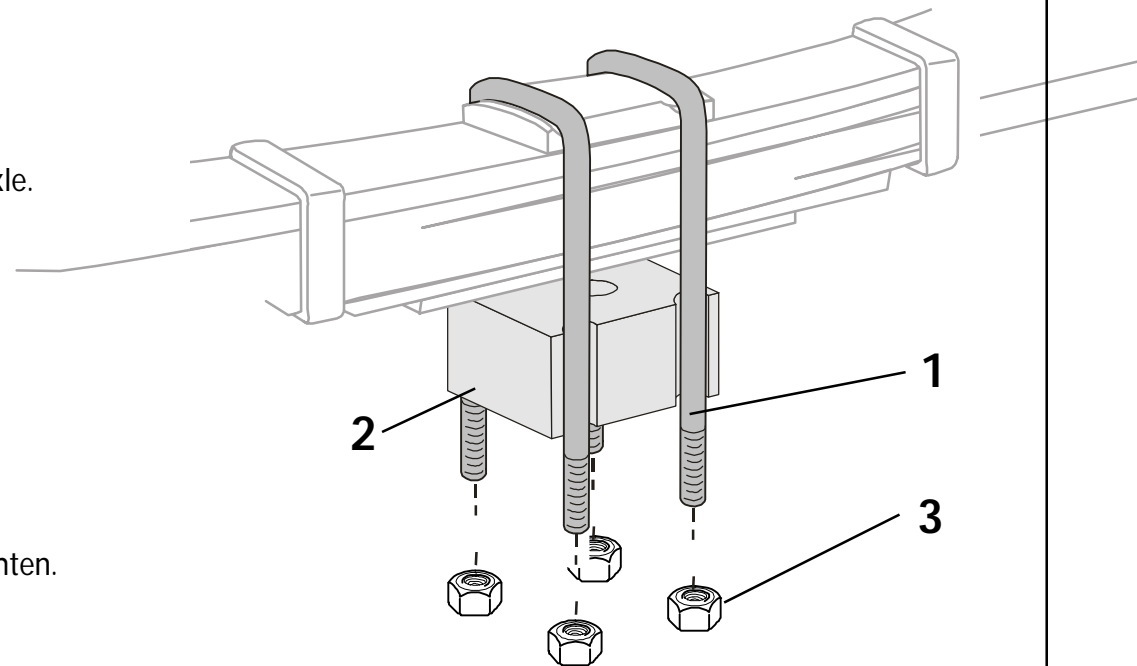


# FR 2.5 LK      LIFT KIT

2" SUSPENSION LIFT KIT TO FIT FORD LIGHT DUTY TRUCKS

## INSTALLATION INSTRUCTION

- a) Raise vehicle - Block vehicle axle use jack stands.
- b) Support vehicle frame - use jack stands.
- c) Loosen shock absorber mounting bracket on rear axle.
- d) Remove original "U" bolts.
- e) Raise vehicle body approximately 3". Install spacer  
Care must be taken on centering leaf spring.
- f) Lower vehicle body.
- g) Install new "U" bolts supplied. Tighten all nuts.  
**NOTE:**      *Torque to OEM specifications*
- h) Re-adjust shock absorber mounting brackets and tighten.
- i) Lower Vehicle - Check alignment.



ITEM	DESCRIPTION	PART	QTY.
1	2-1/2" x 15" UNF U - BOLT	F18U40-158	4
2	TIMBREN LIFT SPACER	K10233-003	2
3	5/8" UNF LONG NUT	F36007-150	8

FR2.5LK

