

TRA5602

Suspension package for trailer
Ensemble pour suspension de remorque
Ensemble para suspensión de remolque

INSTALLATION INSTRUCTIONS

- Insert bolt #1 into countersunk hole of Timbren top plate #3 and tack weld into place.
- Position frame bracket assembly above center line of leaf spring & weld to chassis frame.
- After weldment has cooled, mount Aeon rubber spring onto frame bracket assembly using Timbren fasteners supplied.
- Configure items #5, #6, #7, welding them together to obtain a 6" space (unloaded) between lower plate (item #5) and upper frame bracket. (Use diagrams on page 2 as a guide)
- Weld lower disc assembly to U-bolt pad.

SAFETY CAUTIONS

Always refer to and follow the vehicle manufacturer's guidelines when welding or drilling during installation of this kit.

Do not exceed vehicle manufacturer's recommended axle weight rating. Check for AEON® interference with vehicle components - Under load AEON® will "expand" in diameter.

INSTRUCTIONS DE MONTAGE

- Mettre le boulon no 1 dans la fraisure de la plaque supérieure Timbren no 3 et la soudure de pointage en place.
- Placer l'assemblage du support du cadre au-dessus de la ligne centrale du ressort à lames et le souder au cadre de châssis.
- Monter le ressort en caoutchouc Aeon sur l'assemblage du support du cadre en utilisant la boulonnerie fournie avec l'assemblage Timbren après que l'ensemble soudé eut refroidi.
- Configurer les articles nos 5,6 et 7, en les soudant ensemble afin d'obtenir un espace de 6 po (non chargé) entre la plaque inférieure (article no 5) et le support supérieur du cadre (utiliser les schémas à la page 2 à titre de guide).
- Souder l'assemblage du disque inférieur au coussin du boulon en U.

MESURES DE SÉCURITÉ

Se référer aux directives du fabricant et les suivre en tout temps lors du soudage ou du perçage en ce qui concerne l'installation du présent ensemble.

Ne pas dépasser le poids nominal sur l'essieu recommandé par le fabricant du véhicule. Vérifier que le ressort AEON® n'a pas d'incidence sur d'autres pièces du véhicule - Le ressort AEON® augmentera son diamètre avec la charge.

INSTRUCCIONES DE INSTALACIÓN

- Inserte el perno #1 en el orificio avellanado de la placa superior Timbren #3 y suelde por puntos en el sitio.
- Coloque en posición la unidad de la abrazadera del chasis sobre la línea central del resorte de ballesta y suelde al chasis.
- Después de que se haya enfriado la soldadura, monte el resorte de caucho Aeon sobre la unidad de abrazaderas del chasis utilizando los elementos de sujeción Timbren provistos.
- Configure los ítems #5, #6, #7, soldándolos entre sí para obtener un espacio de 6" (sin carga). Entre la placa inferior (ítem #5) y la abrazadera superior del chasis. (Utilice los diagramas en la página 2 como guía)
- Suelde la unidad del disco inferior al cojín amortiguador del perno "U".

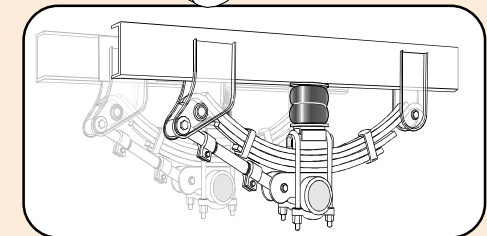
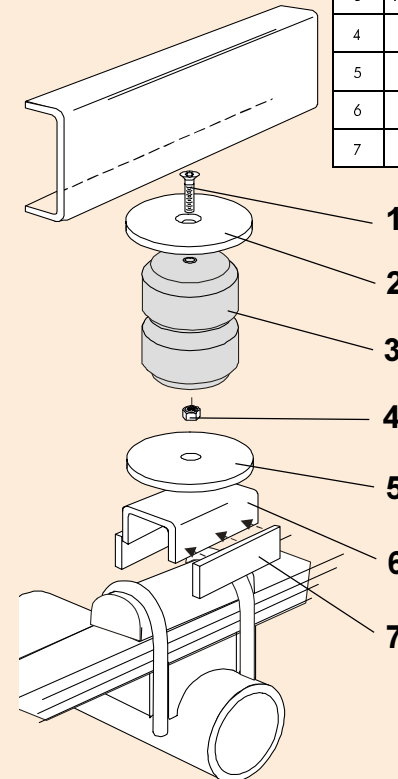
PRECAUCIONES DE SEGURIDAD

Siempre consulte y siga las instrucciones del fabricante del vehículo al soldar o perforar durante la instalación de este kit.

No exceda la carga nominal en el eje recomendada por el fabricante del vehículo. Compruebe que no haya interferencia entre el resorte AEON® y los otros componentes del vehículo. Bajo carga, el resorte AEON® se ampliará en diámetro.

Ref. = Reference = No. de référence = No. de referencia
Part = Part #. = No. de pièce = No. de pieza
Qty. = Quantity = Quantité = Cantidad

Ref	Part	Qty
1	F12104-253	2
2	K54014-003	2
3	A00560-65C70	2
4	F31005-250	2
5	A16110-003	2
6	K51129-003	2
7	K52154-003	4



TRA5602





Ride Quality Control

TIMBREN SES

Suspension Enhancement Systems

Typical Light Duty & Medium Duty Installation



Check clearance when Vehicle is Empty



Be sure Rubber spring is seated directly over lower support.

Typical Heavy Duty Installation



Clearance Instructions

For Light Duty Pickups & Vans

Rear SES kits should have approximately 1" gap between rubber spring and axle for 1/2 and 3/4 tons, and for one ton the gap should be about 1/2" when the vehicle is completely unloaded. A cap or fifth wheel plate will reduce or eliminate this gap.

Front SES kits are usually in contact with the front suspension at all times.

For Medium Duty & Heavy Duty Trucks, Trailers, Motor Homes, and more

Medium & Heavy Duty vehicles often have pre-load as outlined in the instruction sheet. (For specific Medium Duty applications with a constant load on the suspension like Rvs, Utility Vans or Cube Vans, the Timbren SES kits are pre-loaded.)

Check clearances when vehicle is empty...

Consider Your Needs..!

Knowing the use of the vehicle will help you to select the right SES kit. For example a one ton truck can be configured as a pick-up, service vehicle or tow truck. Standard capacity or severe service applications are available for many applications.

Knowing that the suspension has been modified or is old and sagging should indicate the need to adjust the ride height to obtain the correct clearance.

This can be done by altering the SES kit (changing rubber spring or bracket) or re-arching the leaf springs to renew the optimum OEM ride height.

Limited Lifetime Warranty

TIMBREN SES kits are warranted against defects in material and workmanship, under normal use and service, for the life of the vehicle on which the kit was originally installed. The warranty is not transferable and proof of purchase is required. The warranty is limited to the replacement of the failed part. TIMBREN will not be responsible for any labour or freight charges involved in the replacement of any product. TIMBREN shall be entitled to make its own inspection to determine the validity of the warranty claim. TIMBREN shall not be liable nor warrant the product in the event of alteration, misuse, overload, negligence or damage caused by others.

If ride is unsatisfactory in any way, please call:

TIMBREN INDUSTRIES INC.

1-800-263-3113

www.timbren.com
email: sales@timbren.com